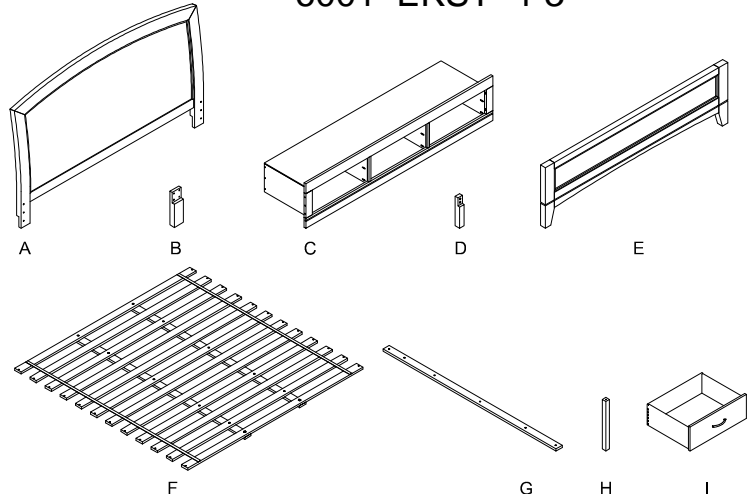


E KING & QUEEN HEADBOARD

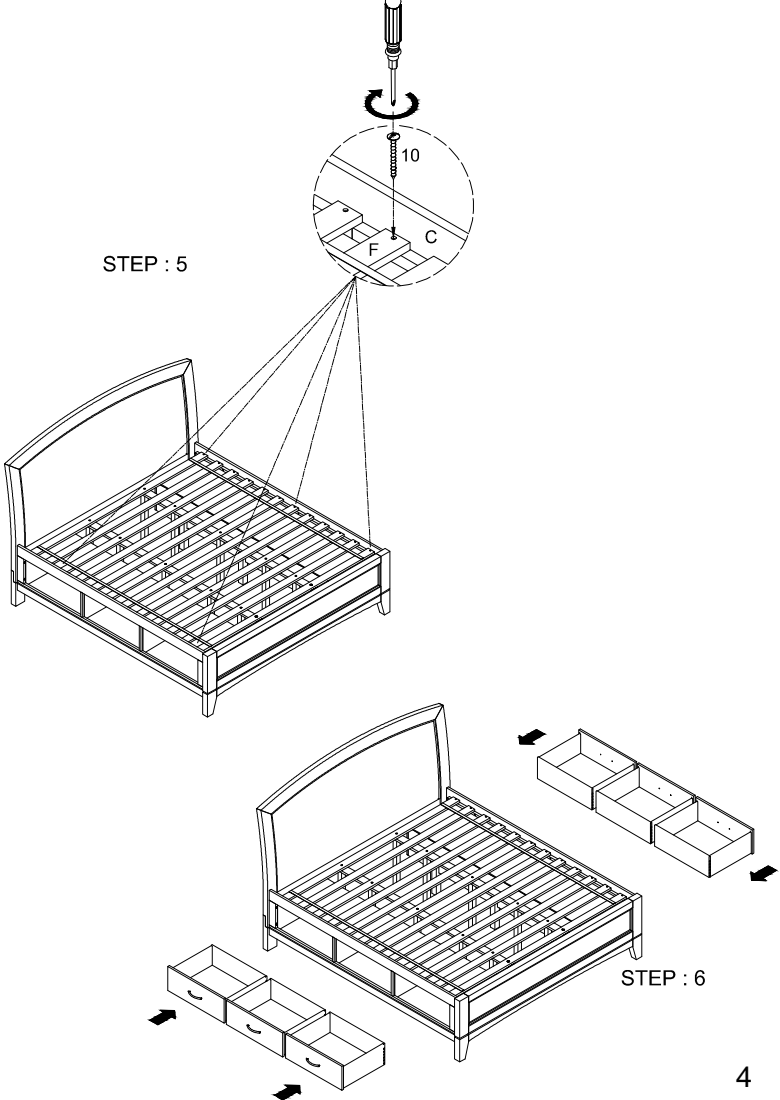
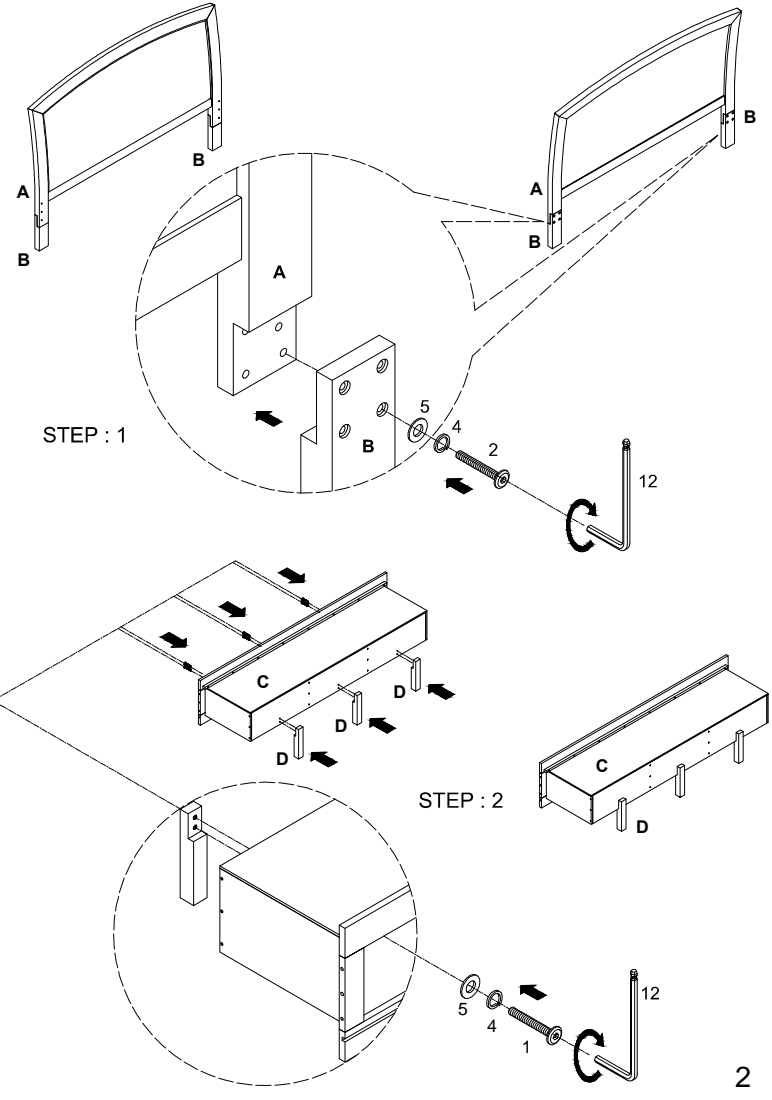
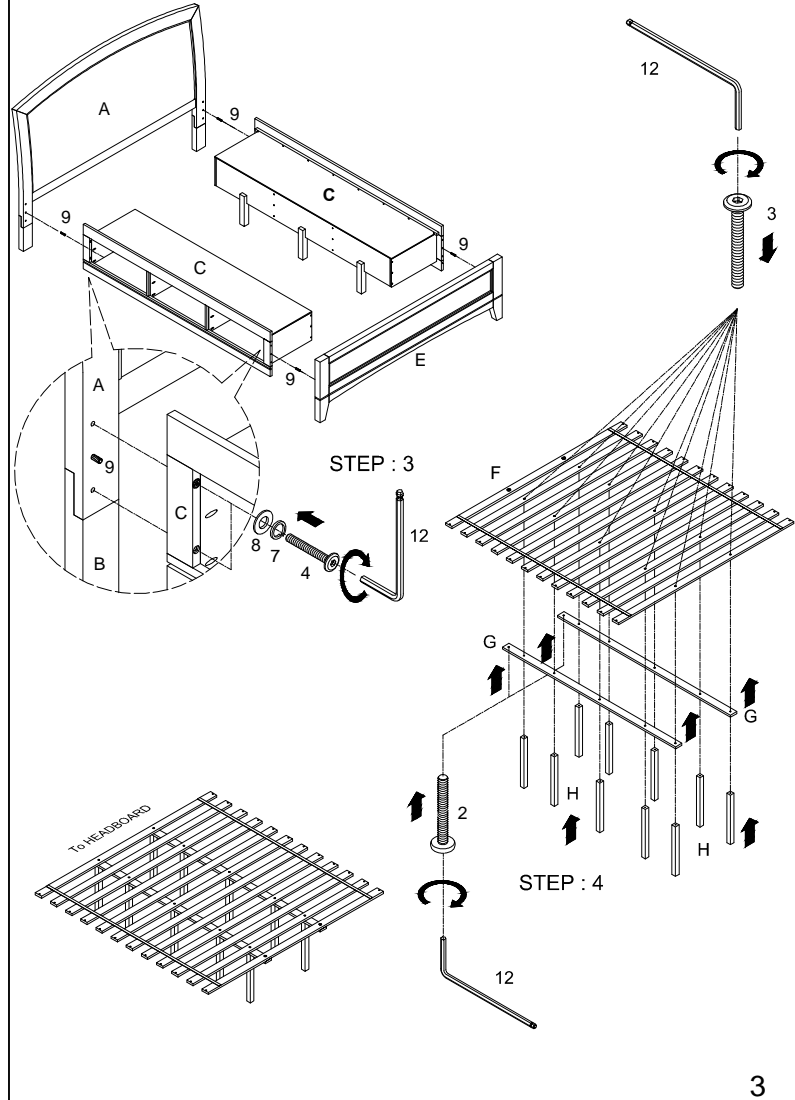
Item Model : 6000 QST 4.4
6001 EKST 4-3



Hardware List:

- 1. Bolt 1/4" x 13*32.....12 pcs*
- 2. Bolt 1/4" x 13*38.....10 pcs*
- 3. Bolt 1/4" x 13*60.....10 pcs*
- 4. Bolt 5/16" x 13*85.....8 pcs*
- 5. Flat washer 1/4".....22 pcs*
- 6. Spring washer 1/4".....22 pcs*
- 7. Flat washer 5/16".....8 pcs*
- 8. Spring washer 5/16".....8 pcs*
- 9. Wood dowel Ø10 x 40mm.....4 pcs*
- 10. Wood screw #8*32.....24 pcs*
- 11. Iron Bolt M4 x 15mm.....6 pcs
- 12. Allen key.....1pc

*Extra hardware included.



1

3

2

4