

ASSEMBLY INSTRUCTIONS

ITEM#: 17460

COCHRANE

"A Division of CRD Industries Ltd "


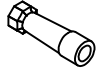

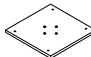
Read instruction carefully prior to assembly .

Thank you for purchasing this quality product. Check carefully for small parts which may have come loose during shipment.








Remove all components from pack and place table top upside down on soft surface such as carpet or cloth to prevent scratching the finish . Identify and count all parts as specified below.

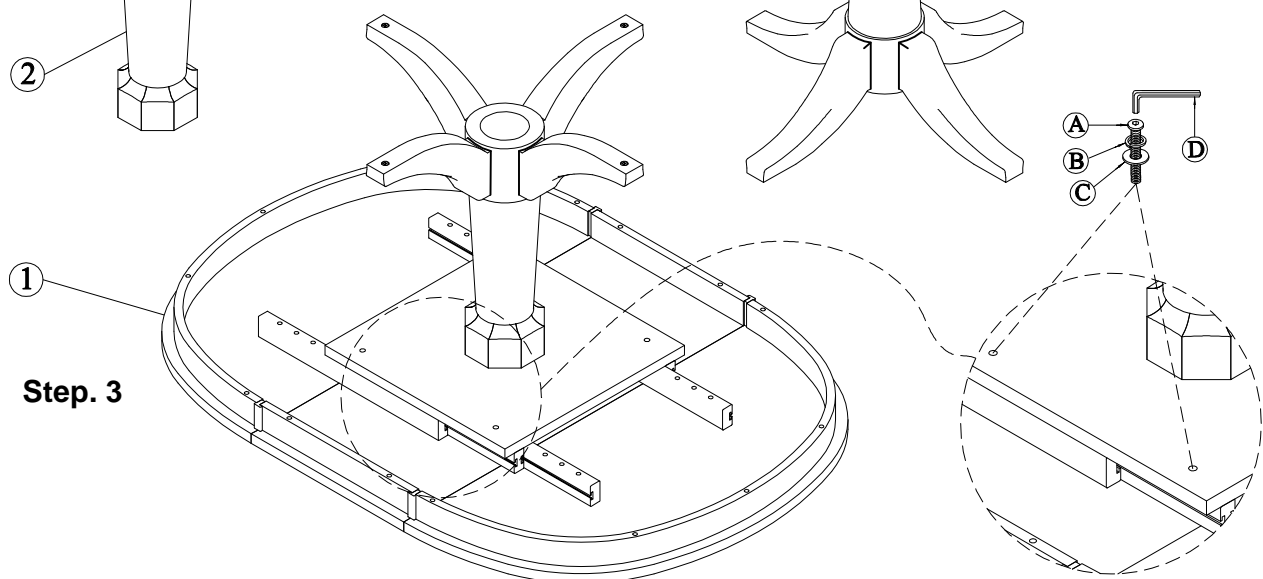
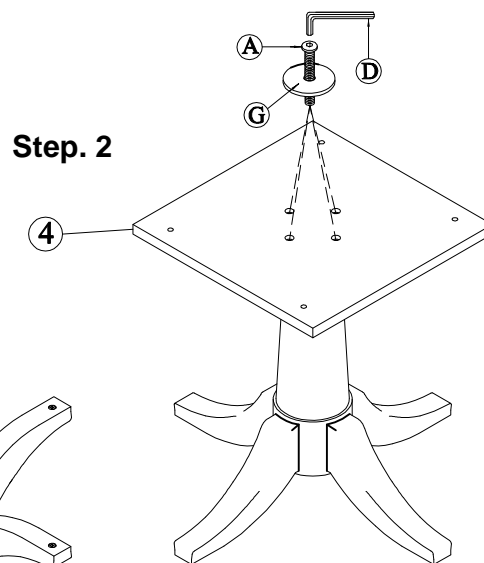
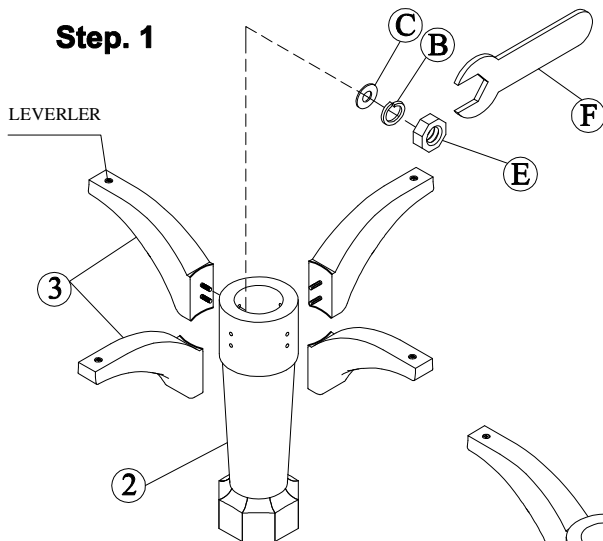
Do not tighten bolts until assembly is complete

"PART LISTS"

STT	DESC	OUTLOOK	Q' TY
1	TABLE TOP		1 PC
2	PEDESTAL		1 PC
3	LEGS		4 PCS
4	PANEL		1 PC

"HARDWARE LISTS"

STT	DESC	SIZE	Q' TY
A		BOLT (5/16" x 1 3/4")	8 PCS
B		LOCK WASHER (Ø 5/16")	12 PCS
C		FLAT WASHER (Ø 5/16")	12 PCS
D		ALLEN KEY (1/8")	1 PC
E		NUTS (5/16")	8 PCS
F		SPANNER	1 PC
G		FLAT WASHER (Ø 38 x 2mm)	4 PCS



ASSEMBLY INSTRUCTIONS

ITEM#: 17460

COCHRANE

"A Division of CRD Industries Ltd "

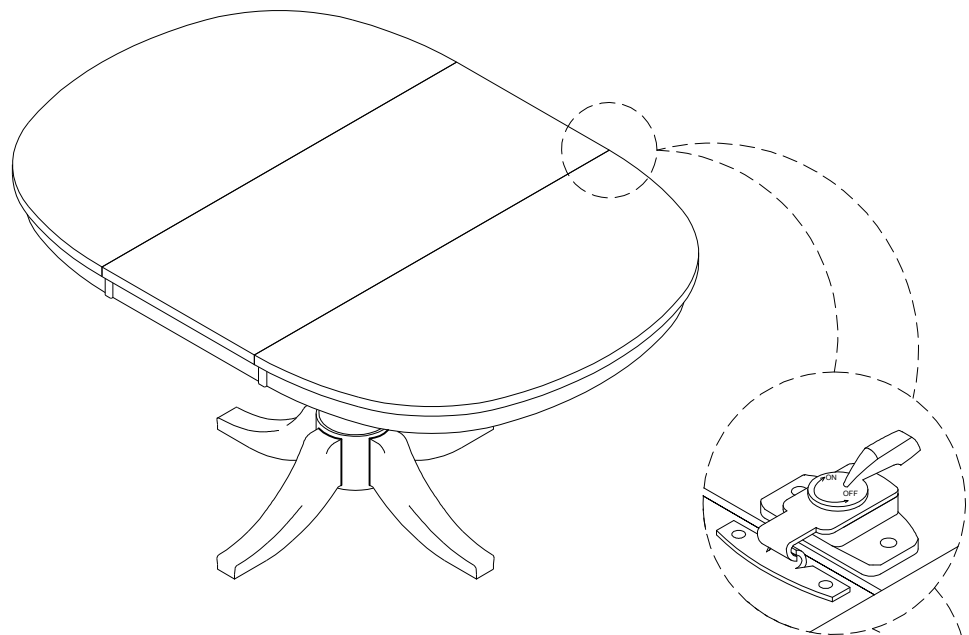
Read instruction carefully prior to assembly .

Thank you for purchasing this quality product. Check carefully for small parts which may have come loose during shipment.

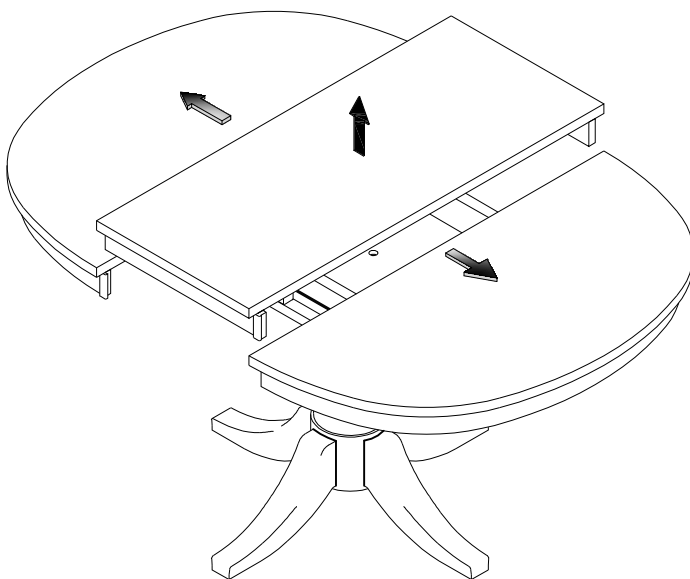
Remove all components from pack and place table top upside down on soft surface such as carpet or cloth to prevent scratching the finish . Identify and count all parts as specified below.

Do not tighten bolts until assembly is complete

Step. 4



Step. 5



Step. 6

